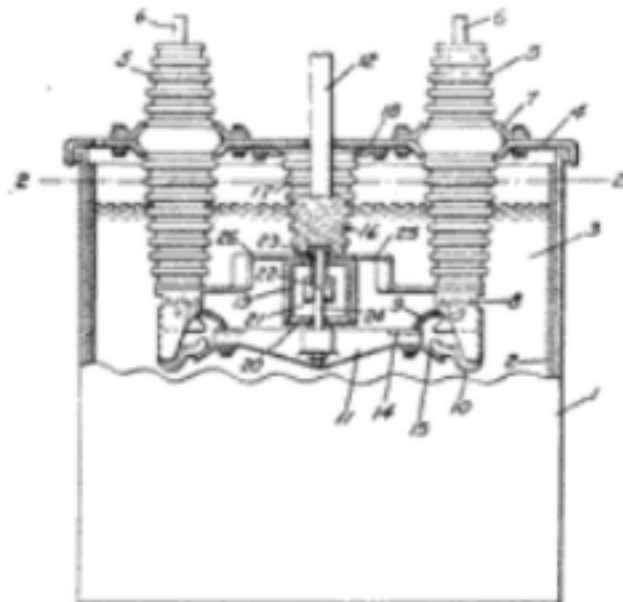


1,653,086. ELECTRIC SWITCH. CHRISTEN CHRISTENSEN, Chicago, Ill., and PHILIP G. LANGLEY, Greensboro, N. C., assignors to General Electric Company, a Corporation of New York. Filed Mar. 13, 1923. Serial No. 624,835. 2 Claims. (Cl. 200—150.)



1. An electric switch comprising a receptacle having a cover and adapted to contain an insulating liquid, insulator bushings mounted in the cover, fixed contacts carried thereby, insulators depending from the cover and spaced laterally on opposite sides of a line joining said insulator bushings, an explosion chamber containing a fixed auxiliary contact supported by each insulator, impedance connecting each fixed main contact with a separate fixed auxiliary contact, a movable bridging member having main contacts for engaging the fixed main contacts and having laterally extending arms carrying movable auxiliary contacts, said latter contacts being arranged to disengage the fixed auxiliary contacts in the explosion chambers subsequently to the disengagement of the main contacts and said impedances being arranged in the receptacle beneath the liquid level.